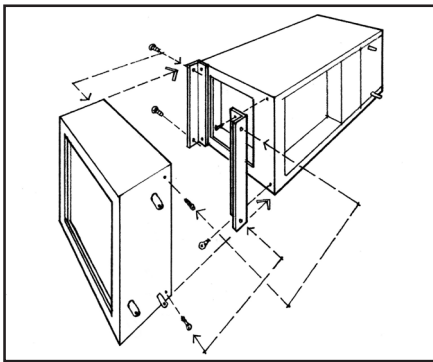


Chilled Water Coil (WCM/WM)



The WCM/WM coil is a High Capacity Hydronic Water Coil available as an add-on module to the Hi-Velocity System. Mainly used in the chilled water applications for cooling, this coil can also be used for heating with water temperatures up to 130°F (54°C).

Fig. WCM-01 - Mounting the WCM/WM



Installation

The coil comes as a module and must be installed in the vertical position on the return air side of the fan coil. The WCM/WM come supplied with two L mounting brackets for connection to the fan coil (Fig. WCM-01). When mounting the cooling coil, ensure that no screws puncture the drain pan or coil.

Piping the WCM/WM

The WCM comes complete with 2 built-in 3/4" (19mm) drain lines, primary and secondary. Ensure the primary drain line is vented and P-trapped.

The use of a mixture of glycol will reduce capacities; refer to glycol manufacture reduction charts.

When the potential for gravity flow of the hot water exists, check valves may be needed on both the supply and return lines. All lines should be piped so as not to restrict access to the front panels, filter section, or electrical enclosure. Size your supply and return lines according to Table WCM-01.

WCM/WM pipe sizing

Zone BTUH	Pipe Size up to 40 feet	Pipe Size 40 – 100 feet
0 - 35,000 (0 - 10.3 kW)	3/4" (19mm)	3/4" (19mm)
35,001 - 70,000 (10.4 - 20.5 kW)	3/4" (19mm)	1" (25mm)
70,001 - 140,000 (20.6 - 41 kW)	1" (25mm)	1 1/4" (32mm)

Specifications		WCM - 50	WCM - 70/1050	WCM - 100/1050	WM - 1750
Matching Fan Coil		HE-Z/HE-B/HE-50/51 HV-50/51/52 LV-50	HE-Z/HE-B/HE/HV-70/71 LV-70 LV-Z/LV-E-1050	HE-Z/HE-B/HE-100/101 HV-100/101 LV-120/140 LV-Z/LV-E-1050	LV-Z/LV-E-1750
Part Number		10010201050	10010201070	40090100100	20090101750
Fin Material		Aluminum	Aluminum	Aluminum	Aluminum
Tubing Material		Copper	Copper	Copper	Copper
Type of Fins		.006 Al (0.1524mm)	.006 Al (0.1524mm)	.006 Al (0.1524mm)	.006 Al (0.1524mm)
GPM Flow Ratings (L/s Flow Ratings)		5 (0.32 L/s)	7 (0.44 L/s)	10 (0.63 L/s)	10 (0.63 L/s)
Hydronic Connection Sizes	Supply Line	3/4" (19mm)	3/4" (19mm)	3/4" (19mm)	1 1/8" (29mm)
	Return Line	3/4" (19mm)	3/4" (19mm)	3/4" (19mm)	1 1/8" (29mm)
	Drain Connection	3/4" (19mm)	3/4" (19mm)	3/4" (19mm)	3/4" (19mm)
Shipping Weight		30 lbs (14 kg)	35 lbs (16 kg)	43 lbs (19.5 kg)	45 lbs (20 kg)
Module Size (L x W x H)		14 3/8" x 10 1/8" x 18 1/2" (365mm x 257mm x 470mm)	19 3/8" x 10 1/8" x 18 1/2" (492mm x 257mm x 470mm)	25 3/8" x 10 1/8" x 18 1/2" (645mm x 257mm x 470mm)	26 1/4" x 8 1/4" x 22 5/8" (656mm x 209mm x 575mm)
BTUH 80°/67° @ 42°F E.W.T. (27°/19 @ 5.5°C E.W.T.)		18,000-24,000 (5.3-7.0 kW)	30,000-36,000 (8.8-10.6 kW)	42,000-60,000 (12.3-17.6 kW)	42,000-70,000 (12.3-20.5 kW)

BTUH - British Thermal Units per Hour
EWT - Entering Water Temperature
GPM - US Gallons per Minute